



The Army's Multi-Domain Task Force (MDTF)

The Significance of the Multi-Domain Task Force (MDTF)

Congress has expressed concern about the threat to U.S. national security posed by Russia and China. The Army believes to address this threat, it must be able to operate in a multi-domain (air, land, water, space, cyber, information) environment, requiring new operational concepts, technologies, weapons, and units. The Multi-Domain Task Force (MDTF) is the Army's self-described organization centerpiece of this effort.

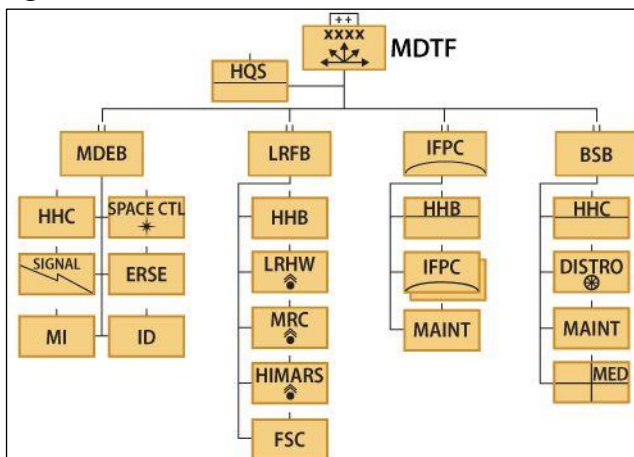
What Is a Multi-Domain Task Force?

The Army's Chief of Staff Paper #1: Army Multi-Domain Transformation Ready to Win in Competition and Conflict dated March 16, 2021, describes the MDTF as "theater-level maneuver elements designed to synchronize precision effects and precision fires in all domains against adversary anti-access/area denial (A2/AD) networks in all domains, enabling joint forces to execute their operational plan (OPLAN)-directed roles."

MDTF Organization

Figure 1 depicts a generic MDTF.

Figure 1. Generic MDTF



Source: Army Information Paper provided to CRS, April 10, 2025.

Notes: MDEB = Multi-Domain Effects Battalion; HHC = Headquarters and Headquarters Company; MI = Military Intelligence; ERSE = Extended Range Sensing Element; ID = Information Dominance; LRFB = Long-Range Fires Battalion; HHC = Headquarters and Headquarters Battery; LRHW = Long-Range Hypersonic Weapon; MRC = Mid-Range Capability (also referred to as Strategic Mid-Range Fires [SMRF]); HIMARS = High Mobility Artillery Rocket Systems; FSC = Forward Sustainment Company; IFPC = Integrated Fire Protection Capability; BSB = Brigade Support Battalion.

The Army has stated that each MDTF is to be tailored to Combatant Commander requirements, so it is possible the

generic MDTF in Figure 1 may contain more, fewer, or other types of units depending on the requirements of its assigned theater of operations.

Army Initial Plans for MDTF Development

The Army originally planned to build five MDTFs: two aligned to the Indo-Pacific region; one aligned to Europe; one stationed in the Arctic region and oriented on multiple threats; and a fifth MDTF aligned for global response.

1st MDTF

The 1st MDTF is headquartered at Joint Base Lewis-McChord, WA, and aligned to the U.S. Army Pacific. Since its 2017 activation, it has participated in a variety of exercises.

2nd MDTF

On April 13, 2021, the Army announced it would station its 2nd MDTF in Germany. The Germany-based MDTF is to support U.S. Army Europe and Africa. On September 16, 2021, the Army activated the 2nd MDTF at Clay Kaserne in Wiesbaden.

Split Stationing of the 2nd MDTF at Fort Drum, NY

On December 13, 2023, Senator Charles Schumer and Representative Elise Stefanik announced in 2025 Fort Drum, NY, would become the home of 1,495 soldiers and personnel from the 2nd MDTF's Long-Range Fires Battalion (LRFB), Brigade Support Battalion (BSB), and Air Defense Battalion. The 2nd MDTF's Headquarters and Effects Battalions, activated in 2021, would remain in Germany.

3rd MDTF

The Army activated the 3rd MDTF at Schofield Barracks, HI, in September 2022. The 3rd MDTF is to support the U.S. Army Pacific as a component of U.S. Indo-Pacific Command (USINDOPACOM).

2024 Army Force Structure Transformation Initiative and MDTFs

On February 27, 2024, the Army released a white paper, *Army Force Structure Transformation*, outlining plans to transform the force. The white paper noted the Army intended to "complete the build out of the Army's five MDTFs" and that

Three task forces will be assigned to U.S. Army Pacific (USARPAC); one will be assigned to U.S. Army Europe-Africa (USAREUR-AF); and another will be service-retained with a likely focus on the CENTCOM area of responsibility [AOR]. One MDTF headquarters is already in Germany and another is stationed in Hawaii.

April 2024 Update on MDTF Alignment and Stationing

According to an April 2024 *Defense News* article, the Army has updated MDTF pre-decisional plans. The Army reportedly plans to consolidate Mid-Range Capability and Long-Range Hypersonic batteries under an LRFB and complete programming of the remaining Indirect Fire Protection Capability (IFPC) battalions over the next five years. The Army also plans to convert all brigade support companies to battalions. In terms of specific MDTFs

- The 1st MDTF is to be fully established in FY2024 with a Multi-Domain Effects Battalion (MDEB), an IFPC battalion, a BSB, and an LRFB.
- The 2nd MDTF is to be headquartered in Germany with an MDEB and other elements stationed at Fort Drum, NY, with an IFPC battalion, a BSB, and an LRFB. The 2nd MDTF is to be fully operational in FY2025 with the addition of the LRFB in FY2026. The 2nd MDTF is to focus on supporting the European theater.
- The 3rd MDTF, headquartered in Hawaii with an MDEB, is to consist of an IFPC battalion, a BSB, and an LRFB stationed at Joint Base Lewis-McChord, WA, and is to be fully operational by FY2026.
- The 4th MDTF is planned to be stationed at Fort Carson, CO, but is to focus on the Indo-Pacific theater and is to be fully operational by FY2027.
- The 5th MDTF is planned to be stationed at Fort Bragg, NC, and is to concentrate on regions as determined. The 5th MDTF is to be fully operational by FY2028.

Potential Change to 2nd MDTF LRFB Deployment Plans

Reportedly, based on a May 1, 2026, Administration decision to remove 5,000 U.S. troops from Germany:

one full brigade will leave Germany and a long-range fires battalion that was due to be deployed later this year will be cancelled. The long-range fires had been due to form a significant extra element of deterrence against Russia while Europeans developed such long-range missiles themselves.

While specific units have not yet been identified, the 2nd MDTF's LRFB had previously been designated by the Army as European-aligned.

1st MDTF to Merge with the 7th Infantry Division

Reportedly, the 1st MDTF is to merge with the 7th Infantry Division (ID) to form Multi-Domain Command-Pacific (MDC-PAC), a two-star command. Reportedly, the Army is

still working through organizational details, [Army Lieutenant General Matthew McFarlane] did note that the command would merge the 7th ID's two Stryker brigades and a combat aviation brigade with a multidomain task force ... to share fires, space, electronic warfare, cyber and intelligence

capabilities with other commands and services throughout the Indo-Pacific.

The unit transition is planned to begin in mid-June 2026, and no date for final completion was provided.

MDTF Concerns

In a March 2026 article "How to Kill a Multidomain Task Force," published by the Modern War Institute at West Point, concerns were raised regarding what the authors perceived as MDTF "vulnerabilities," including

- "The most effective way to neutralize the MDTFs is not to target its sensors, shooters, or networks, but to overwhelm it with process. The central challenge to an MDTF ahead of a conflict—and the one that would prove especially dangerous during one—is the institutional tendency to pile on structure and staff, stifling the very agility that makes it effective."
- "Perhaps the most insidious way to defeat an MDTF is to sever its connection to the global conversation. This is achieved through information calcification: a hardening of the bureaucratic arteries that slows the release of information to a crawl, rendering it irrelevant upon arrival and allowing our adversaries to define our actions before we can ... Equally damaging, however, is suppressing the MDTF's voice internally within the Army, which stifles the service's own evolution."

The authors seemingly suggest that bureaucracy, the tendency to add additional structure and staff to new units, and conformity to established Army practices might be more of a threat to the MDTF than enemy actions. The authors argue that such actions by the Army could restrict the MDTF's agility and utility and thereby make it less effective.

Possible Oversight Issues for Congress

Possible oversight issues for Congress include the following:

- Did MDTFs or subordinate elements play an operational role in Operation Epic Fury? If so, what are some of the emerging lessons and how might they influence future MDTF development and alignment?
- If the 2nd MDTF's LRFB is not to be forward-stationed in Germany as originally planned, how might this impact the 2nd MDTF's concept of operation in support of U.S. European Command (USEUCOM) and NATO?
- Given concerns raised about MDTF vulnerabilities to Army cultural tendencies and bureaucracy, what actions are being undertaken by Army leadership to ensure that MDTFs are being "set up for success" and not being overly regulated and staffed in order to maximize their innovativeness, agility, and effectiveness?

Andrew Feickert, Specialist in Military Ground Forces
Ebrima M'Bai, U.S. Army Fellow

Disclaimer

This document was prepared by the Congressional Research Service (CRS). CRS serves as nonpartisan shared staff to congressional committees and Members of Congress. It operates solely at the behest of and under the direction of Congress. Information in a CRS Report should not be relied upon for purposes other than public understanding of information that has been provided by CRS to Members of Congress in connection with CRS's institutional role. CRS Reports, as a work of the United States Government, are not subject to copyright protection in the United States. Any CRS Report may be reproduced and distributed in its entirety without permission from CRS. However, as a CRS Report may include copyrighted images or material from a third party, you may need to obtain the permission of the copyright holder if you wish to copy or otherwise use copyrighted material.